

DÉCORS BARBARES

BY NATHALIE FARMAN-FARMA

PATTERN *Aurel*

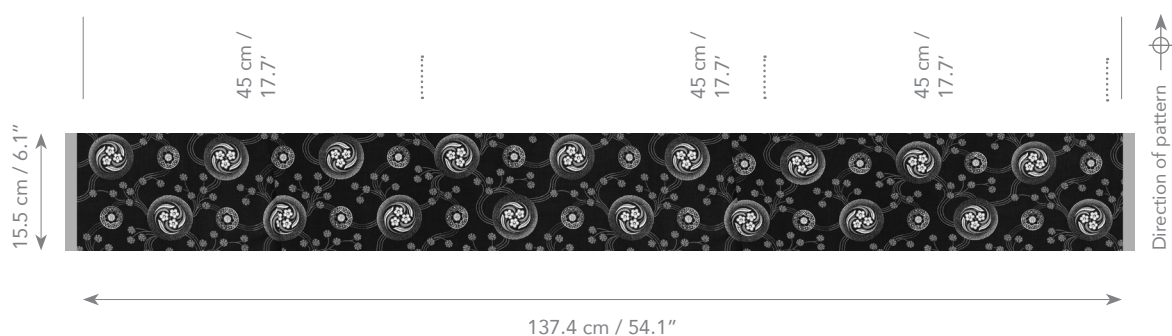
REF 2000 / ORIGINAL COLORWAY
2001 / ROSE

CONTENT 100% GLAZED COTTON

PATTERN WIDTH 137.4 CM / 54.1"

REPEAT WIDTH 45 CM / 17.7"

REPEAT HEIGHT 15.5 CM / 6.1"



HAND PRINTED IN FRANCE

INFO@DECORSBARBARES.COM
INSTAGRAM: @NATHALIEFARMANFARMA
WWW.DECORSBARBARES.COM